

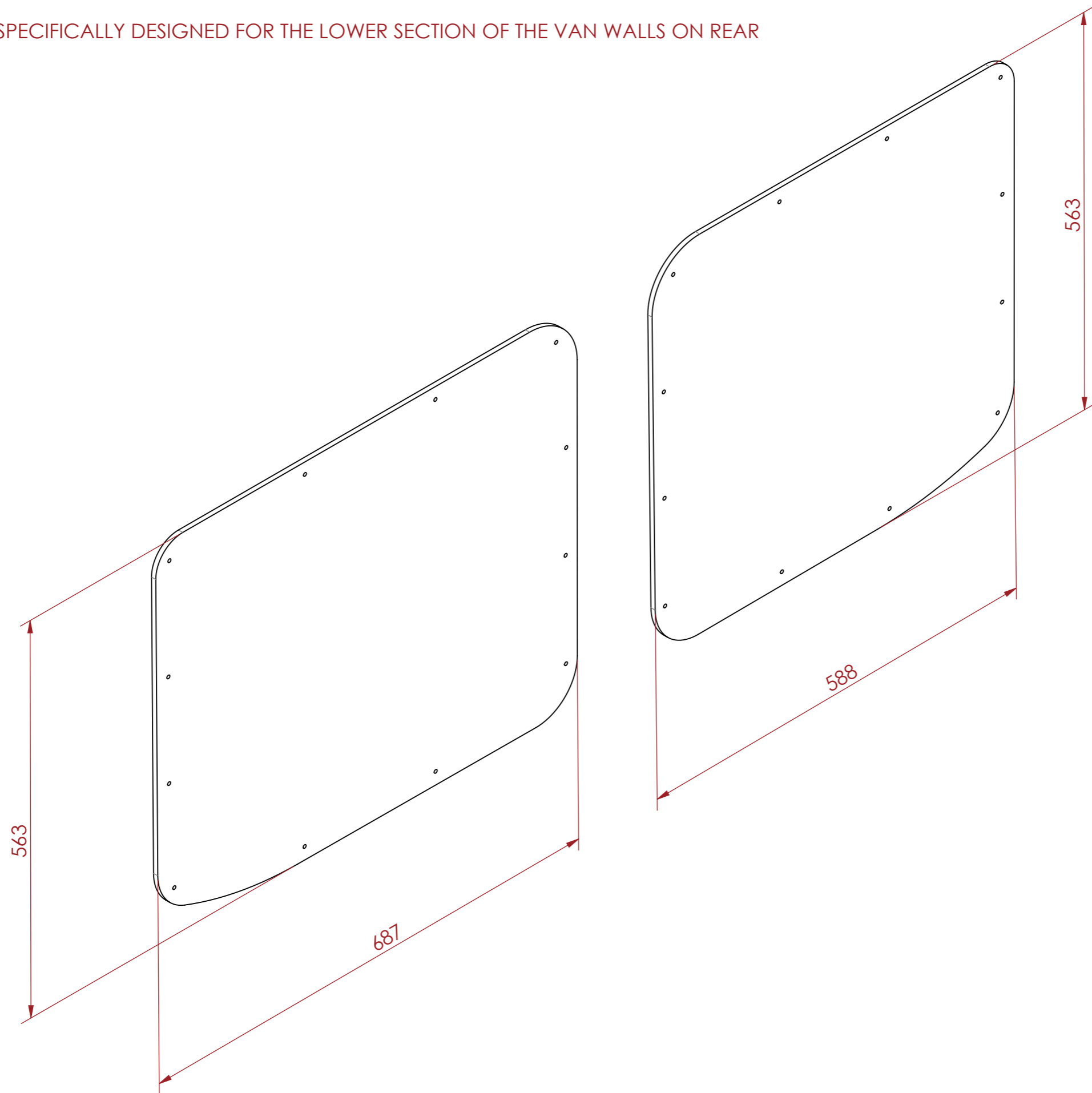
PRODUCT FEATURES

CONSTRUCTION

- 7MM POLYPROPYLENE PLASTIC FLIGHT PANEL SHEET FOR WALL PANELING

REAR DOOR PANELS

- THESE PANELS ARE SPECIFICALLY DESIGNED FOR THE LOWER SECTION OF THE VAN WALLS ON REAR DOOR

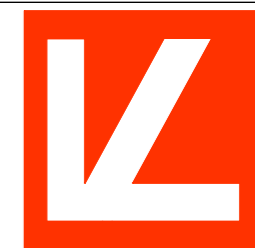


ESTIMATED WEIGHT :  
1.86 KG

ITEM CODE:  
TOY-H300-LWB-5-RDP

DRAWN BY: KA                      CHECKED BY: AS

SCALE:  
NTS



by **ARMOR**

MAIL : [sales@vanlining.com.au](mailto:sales@vanlining.com.au)  
WEB : [www.vanlining.com.au](http://www.vanlining.com.au)