

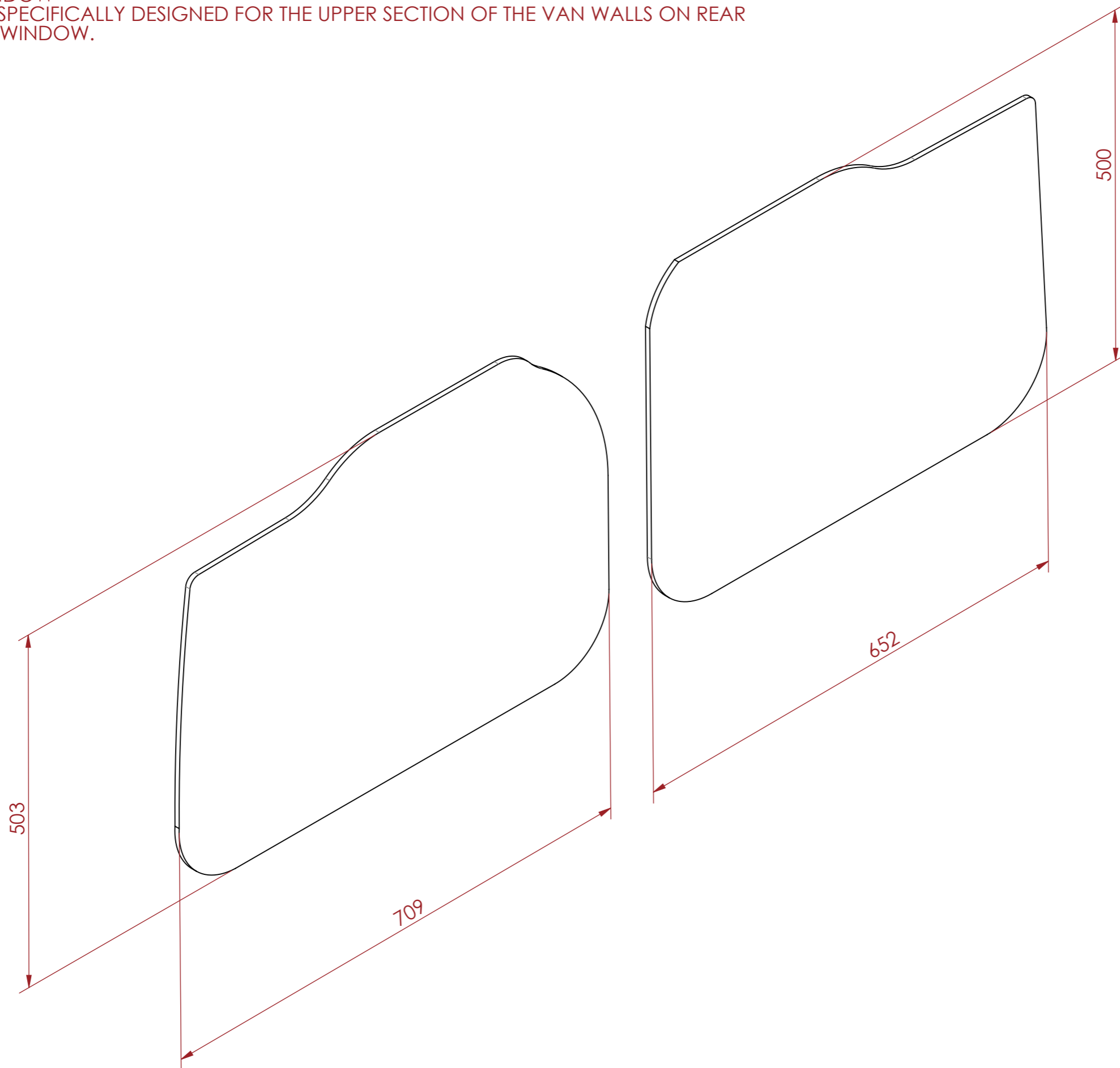
PRODUCT FEATURES

CONSTRUCTION

- 7MM POLYPROPYLENE PLASTIC FLIGHT PANEL SHEET FOR WALL PANELING

REAR DOOR GLASS WINDOW

- THESE PANELS ARE SPECIFICALLY DESIGNED FOR THE UPPER SECTION OF THE VAN WALLS ON REAR DOOR WILL GLASS WINDOW.



ESTIMATED WEIGHT :

1.65 KG

ITEM CODE:

TOY-H300-LWB-5-RDW

DRAWN BY:

KA

CHECKED BY:

AS

SCALE:

NTS



by **ARMOR**

MAIL : sales@vanlining.com.au
WEB : www.vanlining.com.au