

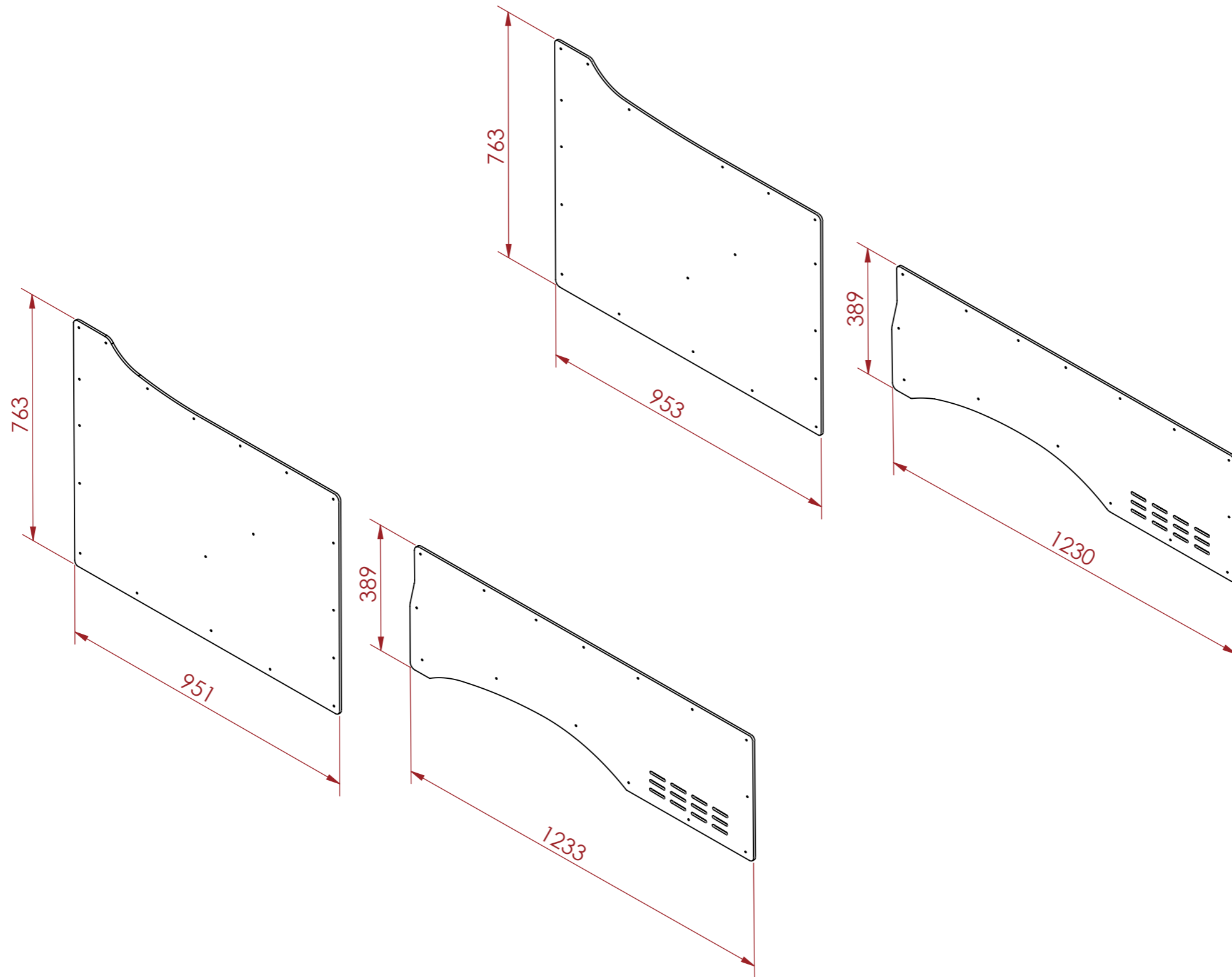
PRODUCT FEATURES

CONSTRUCTION

- 7MM POLYPROPYLENE PLASTIC FLIGHT PANEL SHEET FOR WALL PANELING

WALL PANELS LOWE ROW

- THESE PANELS ARE SPECIFICALLY DESIGNED FOR THE LOWER SECTION OF THE VAN WALLS ON BOTH THE PASSENGER AND DRIVER SIDES INCLUDING DOORS.



ESTIMATED WEIGHT :
5.74 KG

ITEM CODE:
TOY-H300-LWB-5-WPL

DRAWN BY: KA CHECKED BY: AS

SCALE:
NTS



MAIL : sales@vanlining.com.au
WEB : www.vanlining.com.au