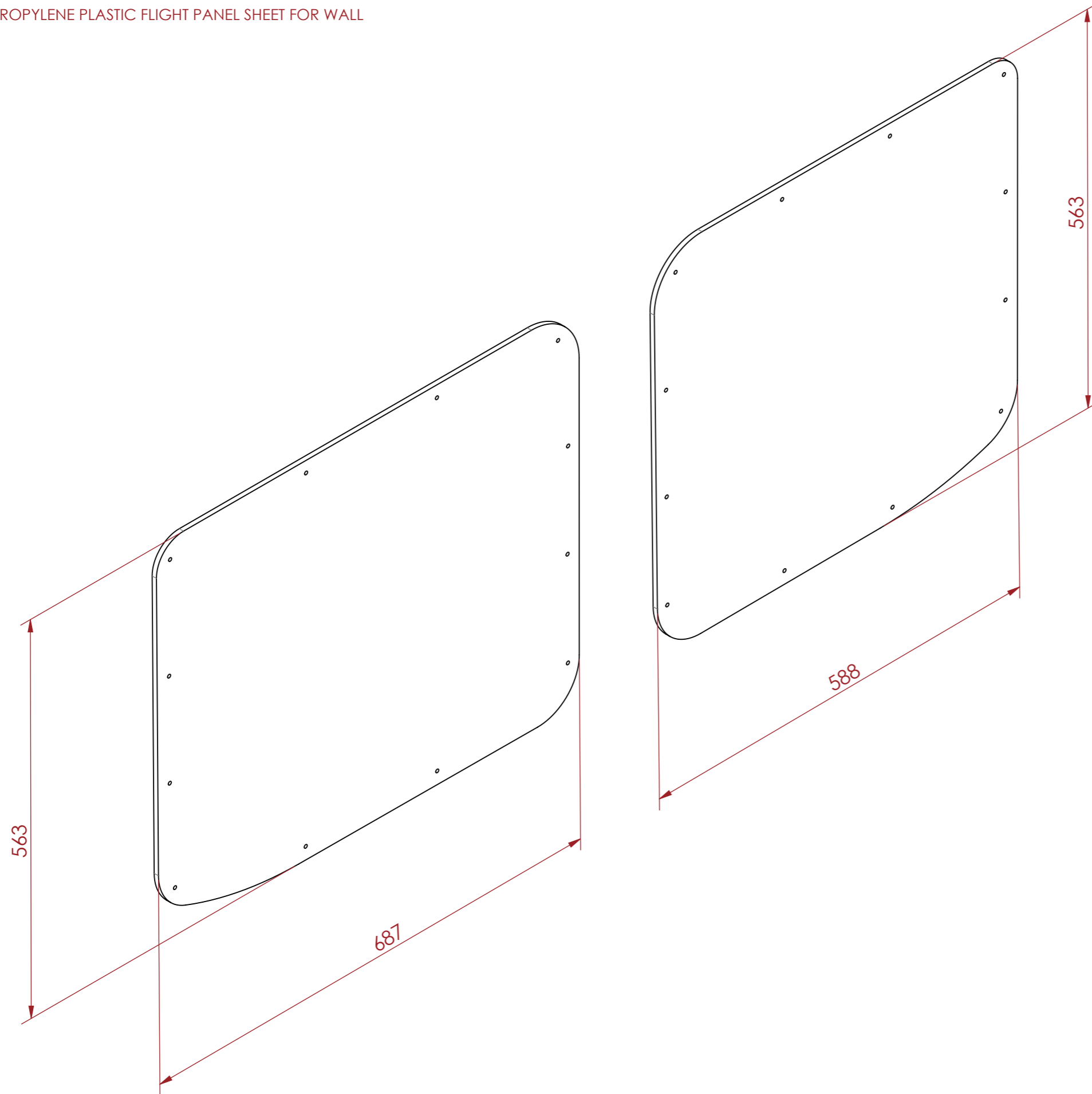


# PRODUCT FEATURES

## CONSTRUCTION

- 7MM POLYPROPYLENE PLASTIC FLIGHT PANEL SHEET FOR WALL PANELING

NOTES:  
UNLESS SPECIFIED IN THE DRAWING,  
ALL PRODUCTS DISPLAYED IN THIS  
DRAWING OTHER THAN THE PANELS  
AND EXTRUSIONS ITSELF IS NOT PART  
OF OUR PRODUCT OFFERING.



INSTALLATION COST:

71.72 AUD

ESTIMATED WEIGHT :

1.86 KG

ITEM CODE:

TOY-H300-LWB-5-RDP

DRAWN BY:

KA

CHECKED BY:

AS

SCALE:

NTS



MAIL : [sales@armorcases.com.au](mailto:sales@armorcases.com.au)

WEB : [www.armorcases.com.au](http://www.armorcases.com.au)