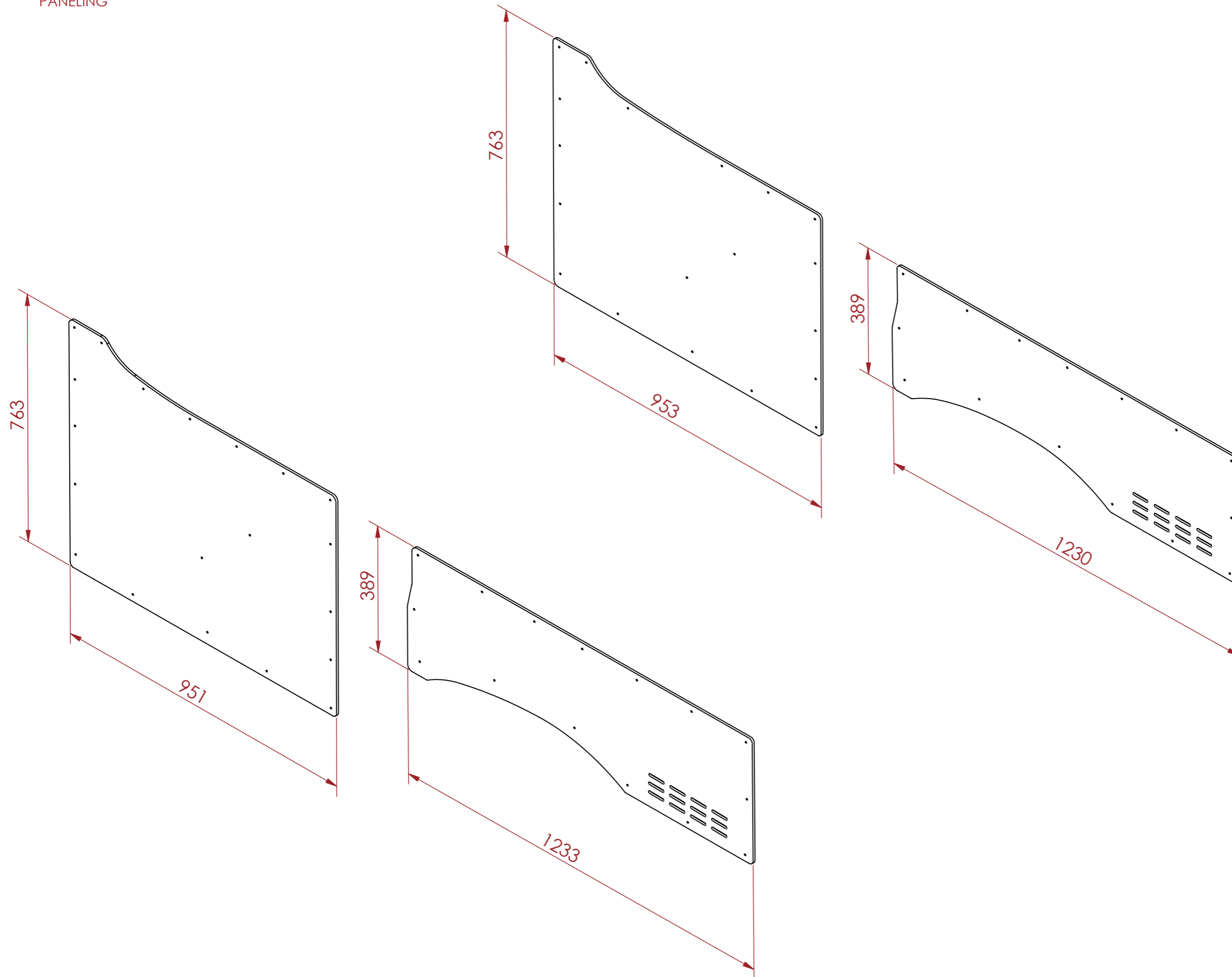


PRODUCT FEATURES

CONSTRUCTION

- 7MM POLYPROPYLENE PLASTIC FLIGHT PANEL SHEET FOR WALL PANELING

NOTES:
UNLESS SPECIFIED IN THE DRAWING,
ALL PRODUCTS DISPLAYED IN THIS
DRAWING OTHER THAN THE PANELS
AND EXTRUSIONS ITSELF IS NOT PART
OF OUR PRODUCT OFFERING.



INSTALLATION COST:

156.16AUD

ESTIMATED WEIGHT :

5.74 KG

ITEM CODE:

TOY-H300-LWB-5-WPL

DRAWN BY:

KA

CHECKED BY:

AS

SCALE:

NTS



MAIL : sales@armorcases.com.au
WEB : www.armorcases.com.au