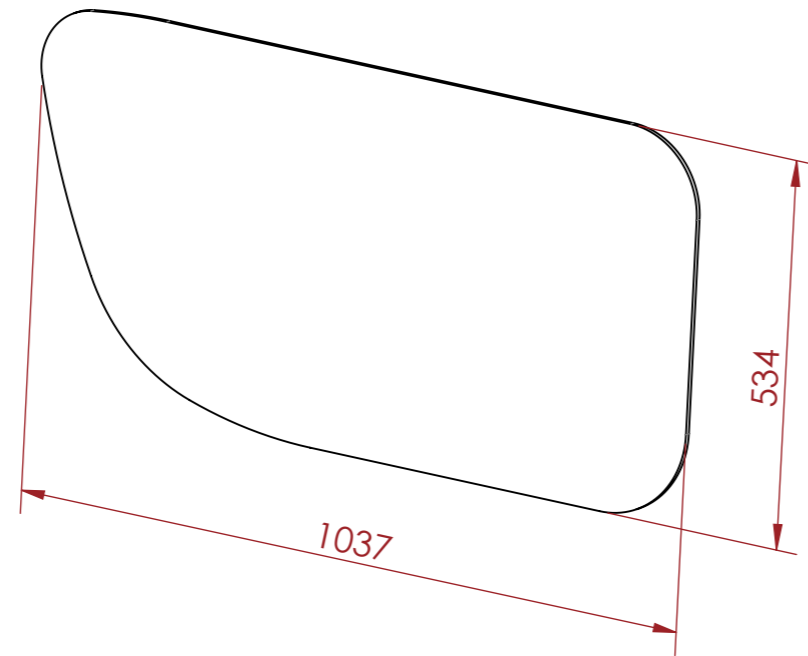


## PRODUCT FEATURES

### CONSTRUCTION

- 7MM POLYPROPYLENE PLASTIC FLIGHT PANEL SHEET FOR WALL PANELING



#### NOTES:

UNLESS SPECIFIED IN THE DRAWING, ALL PRODUCTS DISPLAYED IN THIS DRAWING OTHER THAN THE PANELS AND EXTRUSIONS ITSELF IS NOT PART OF OUR PRODUCT OFFERING.

INSTALLATION COST:

37.88 AUD

ESTIMATED WEIGHT :

1.33 KG

ITEM CODE:

TOY-H300-LWB-5-WPW

DRAWN BY:

KA

CHECKED BY:

AS

SCALE:

NTS



MAIL : [sales@armorcases.com.au](mailto:sales@armorcases.com.au)  
WEB : [www.armorcases.com.au](http://www.armorcases.com.au)