

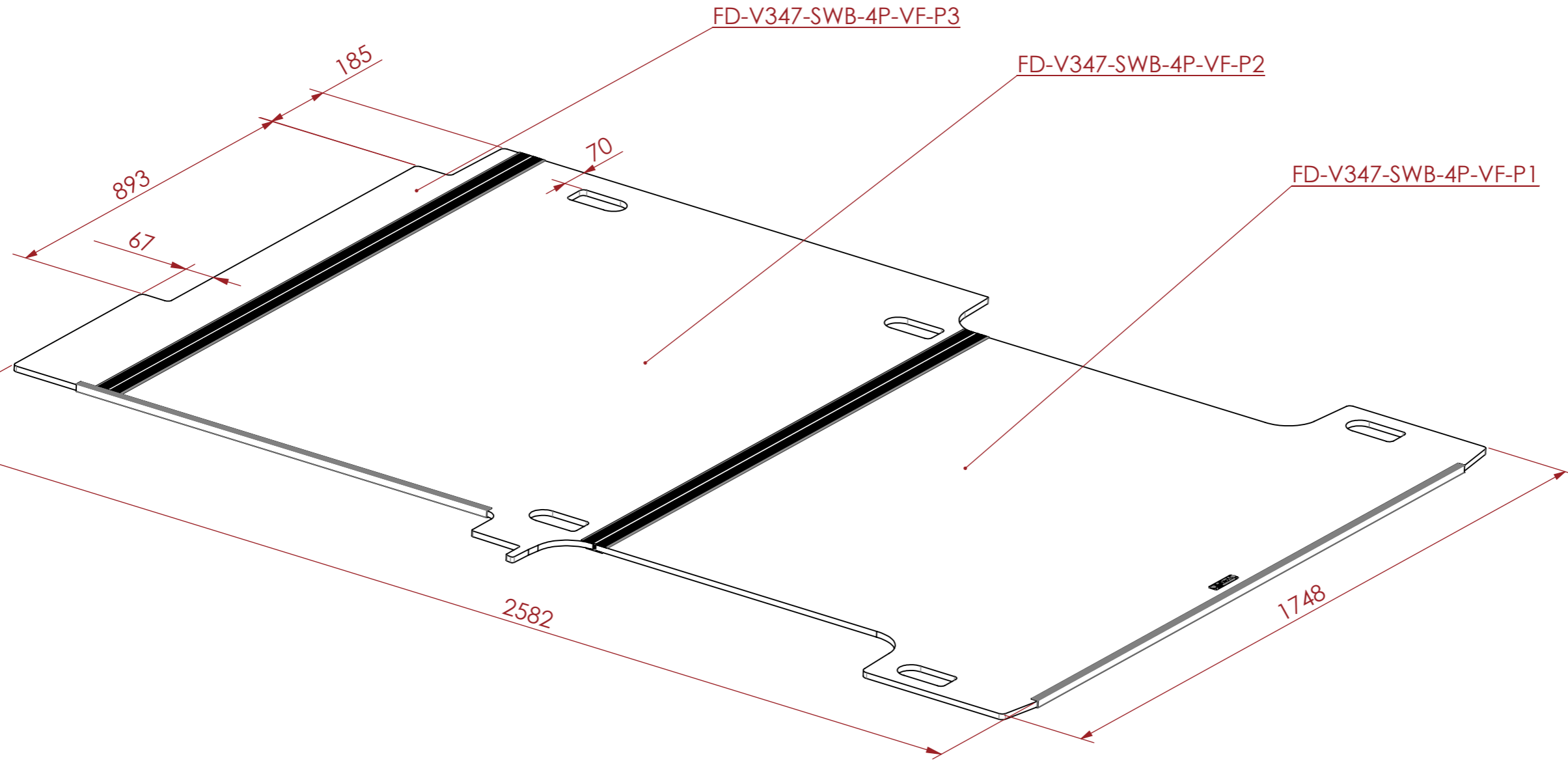
PRODUCT FEATURES

CONSTRUCTION

- 12MM BIRCH VENEER PLYWOOD WITH HPL EXTERIOR FACE AND
- H-12 ALUMINIUM EXTRUSION FOR JOINING PANEL
 - ALUMINIUM EXTRUSION TO COVER THE FLOOR HOT SPOTS

NOTES:

UNLESS SPECIFIED IN THE DRAWING, ALL PRODUCTS DISPLAYED IN THIS DRAWING OTHER THAN THE PANELS AND EXTRUSIONS ITSELF IS NOT PART OF OUR PRODUCT OFFERING.



INSTALLATION COST:

194 AUD

ESTIMATED WEIGHT :

34.3 KG

ITEM CODE:

FD-V347-SWB-4P-VF

DRAWN BY:

KA

CHECKED BY:

AS

SCALE:

NTS



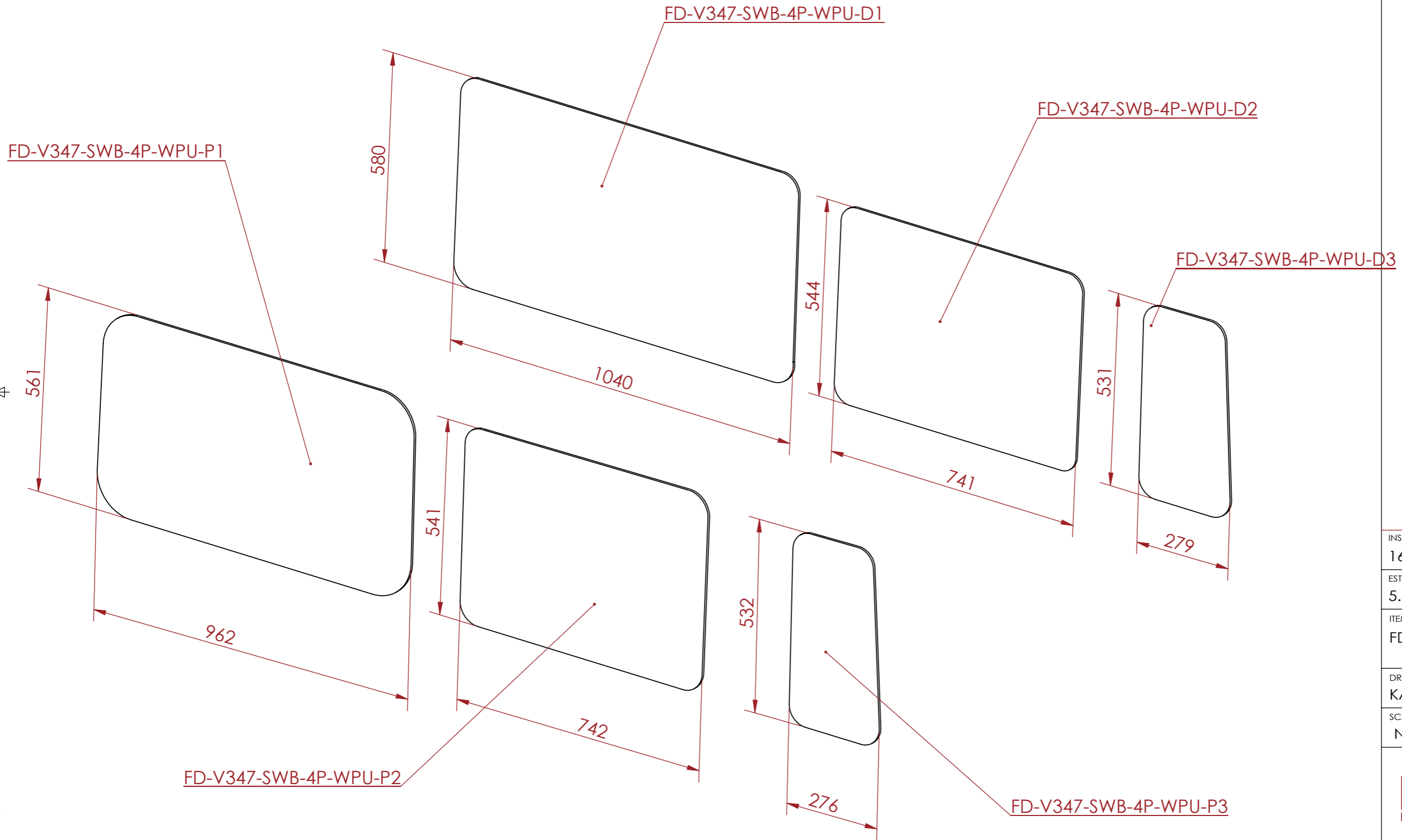
MAIL : sales@armorcases.com.au
WEB : www.armorcases.com.au

PRODUCT FEATURES

CONSTRUCTION

- 7MM POLYPROPYLENE PLASTIC FLIGHT PANEL SHEET FOR WALL PANELING

NOTES:
UNLESS SPECIFIED IN THE DRAWING,
ALL PRODUCTS DISPLAYED IN THIS
DRAWING OTHER THAN THE PANELS
AND EXTRUSIONS ITSELF IS NOT PART
OF OUR PRODUCT OFFERING.



INSTALLATION COST:

162 AUD

ESTIMATED WEIGHT :

5.8 KG

ITEM CODE:

FD-V347-SWB-4P-WPU

DRAWN BY:

KA

CHECKED BY:

AS

SCALE:

NTS



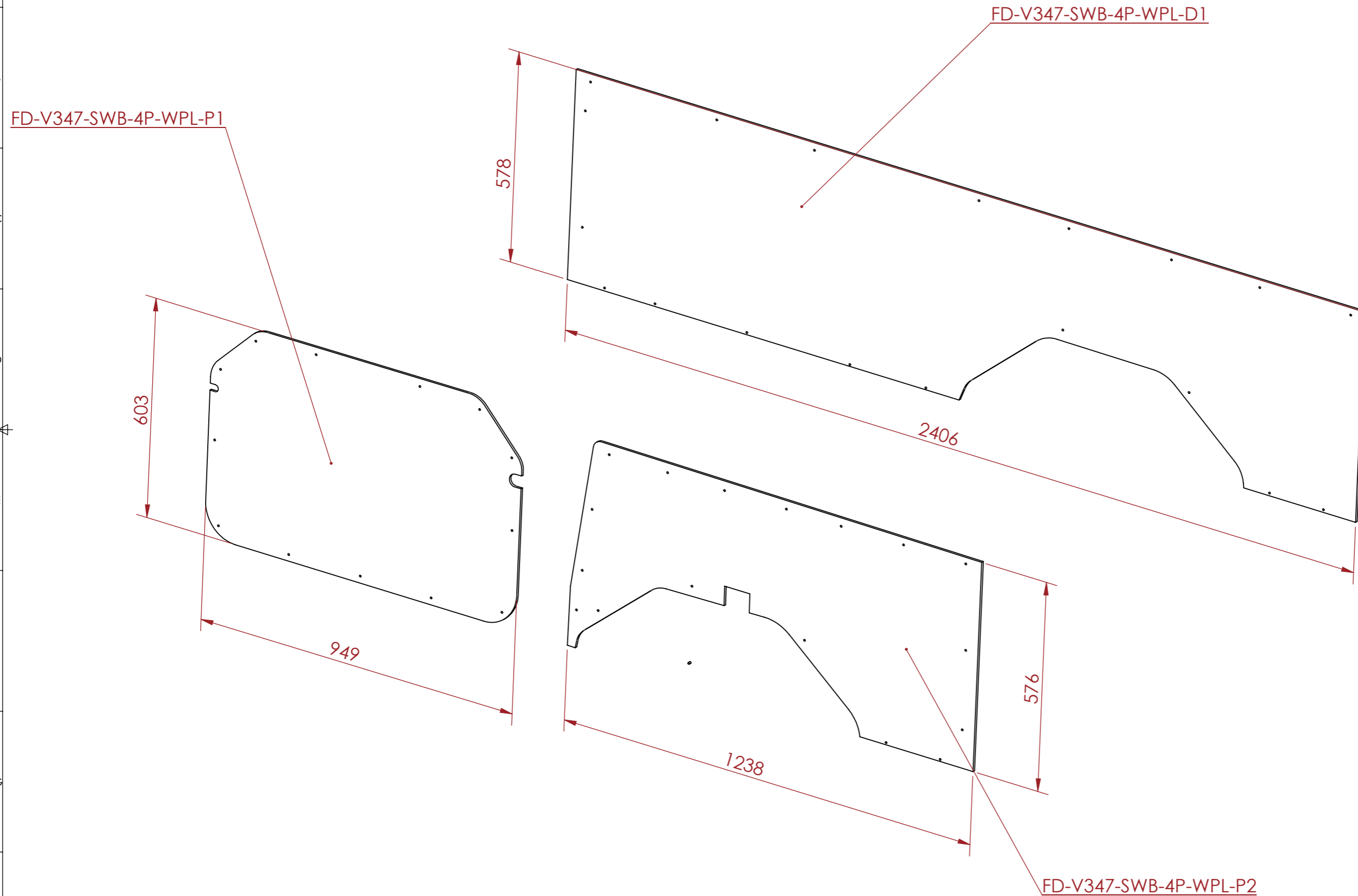
MAIL : sales@armorcases.com.au
WEB : www.armorcases.com.au

PRODUCT FEATURES

CONSTRUCTION

- 7MM POLYPROPYLENE PLASTIC FLIGHT PANEL SHEET FOR WALL PANELING

NOTES:
UNLESS SPECIFIED IN THE DRAWING,
ALL PRODUCTS DISPLAYED IN THIS
DRAWING OTHER THAN THE PANELS
AND EXTRUSIONS ITSELF IS NOT PART
OF OUR PRODUCT OFFERING.



INSTALLATION COST:

140 AUD

ESTIMATED WEIGHT :

6.1 KG

ITEM CODE:

FD-V347-SWB-4P-WPL

DRAWN BY:

KA

CHECKED BY:

AS

SCALE:

NTS



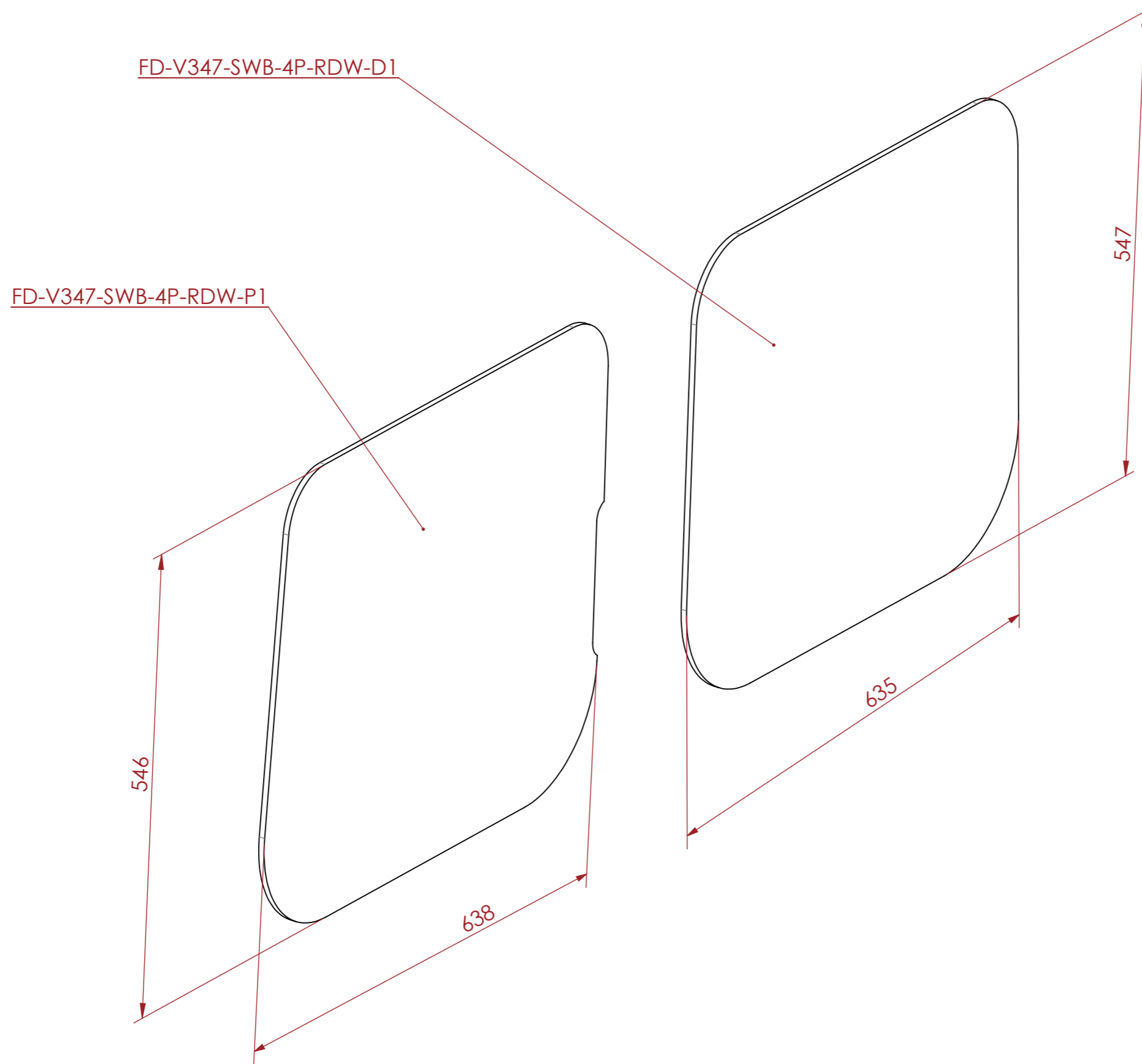
MAIL : sales@armorcases.com.au
WEB : www.armorcases.com.au

PRODUCT FEATURES

CONSTRUCTION

- 7MM POLYPROPYLENE PLASTIC FLIGHT PANEL SHEET FOR WALL PANELING

NOTES:
UNLESS SPECIFIED IN THE DRAWING,
ALL PRODUCTS DISPLAYED IN THIS
DRAWING OTHER THAN THE PANELS
AND EXTRUSIONS ITSELF IS NOT PART
OF OUR PRODUCT OFFERING.



INSTALLATION COST:

69 AUD

ESTIMATED WEIGHT :

1.7 KG

ITEM CODE:

FD-V347-SWB-4P-RDW

DRAWN BY:

KA

CHECKED BY:

AS

SCALE:

NTS



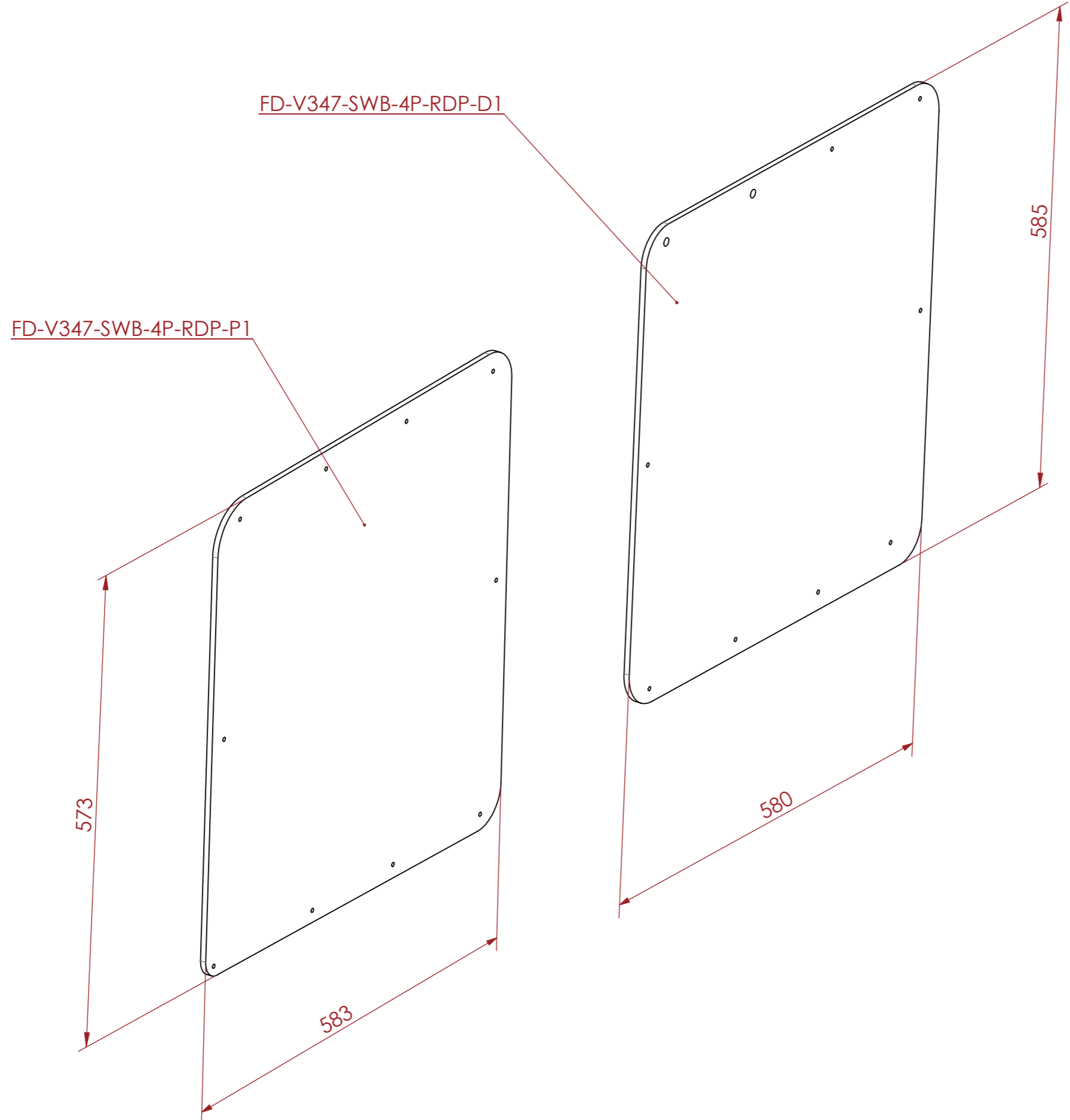
MAIL : sales@armorcases.com.au
WEB : www.armorcases.com.au

PRODUCT FEATURES

CONSTRUCTION

- 7MM POLYPROPYLENE PLASTIC FLIGHT PANEL SHEET FOR WALL PANELING

NOTES:
UNLESS SPECIFIED IN THE DRAWING,
ALL PRODUCTS DISPLAYED IN THIS
DRAWING OTHER THAN THE PANELS
AND EXTRUSIONS ITSELF IS NOT PART
OF OUR PRODUCT OFFERING.



INSTALLATION COST:
69 AUD

ESTIMATED WEIGHT :
1.8 KG

ITEM CODE:
FD-V347-SWB-4P-RDP

DRAWN BY: **KA** CHECKED BY: **AS**

SCALE:
NTS



MAIL : sales@armorcases.com.au
WEB : www.armorcases.com.au